

**SING-TAO**

**PLUNGER TANK BOTTOM VALVE**

---

---

**Sterile, Aseptic and Sanitary Valves**



[www.sing-tao.com.cn](http://www.sing-tao.com.cn)

# SING-TAO

Initiated by Dr. Dave Schmidt, a valve control expert, the innovation team is formed by the industry elites from Germany, Belgium and Hungary to jointly explore the wonderful pleasure of fluid control technology. We have successively established production factories in Malaysia and Indonesia, where there are rich mineral resources. With the help of Singapore's mature international trade market position, we have established a supply system integrating research and development, casting, processing and marketing.

We prefer to provide fluid control valves made of stainless steel and corrosion-resistant materials for applications in drinks, drugs and electronic semiconductor fields, including electric, pneumatic and manual valves: Steam drain valve, diaphragm valve, spherical valve, flap valve, mix-proof valve, check valve, angle stop valve, pipeline pressure maintaining valve, etc. We have full-time research and development engineers who conduct continuous improvement to every valve type, so that the products can better match the process requirements.

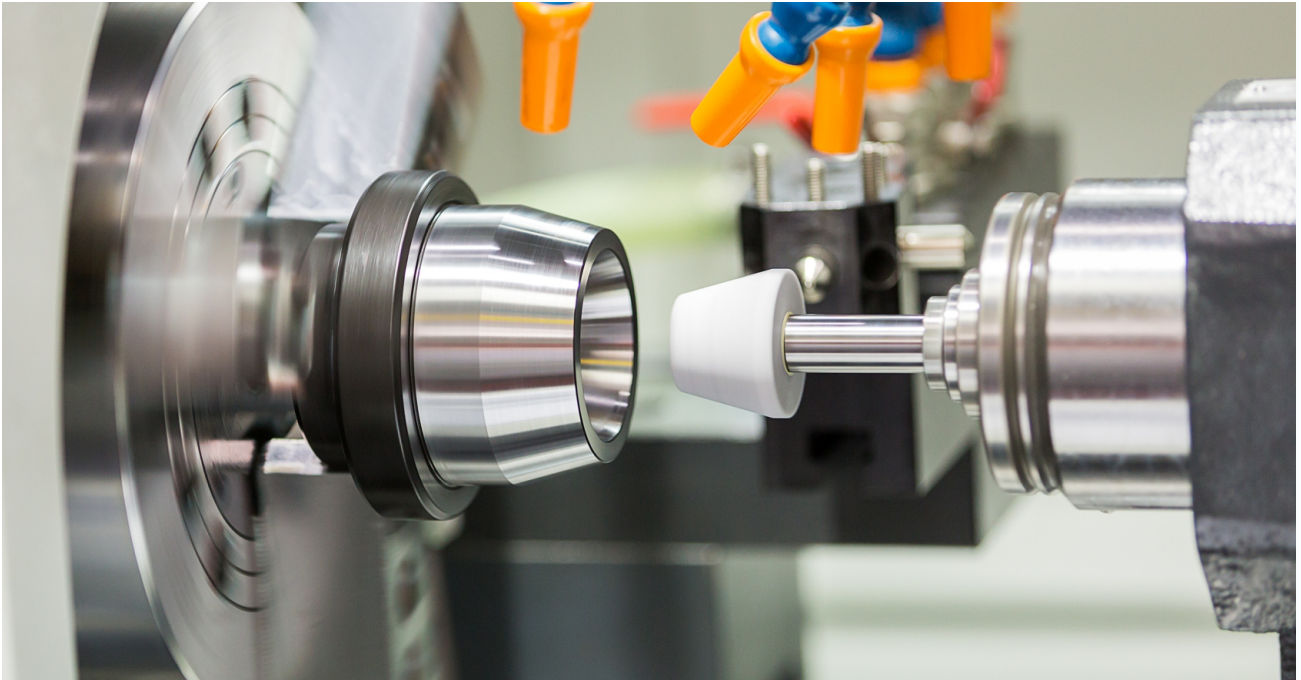
We always ensure that our products meet international industry standards and professional guidelines in quality control and best practices, including 3A, ASME BPE, FDA and SGS. Thanks to our continued commitment to product quality, we have been actively involved in EHEDG and FPSA, who have helped us become a leading valve supplier in the fluid control industry with their knowledge. For example: In order to reduce the risk of microbial contamination, we defined the structure and connection form of diaphragm valves used for cross-materials. The large flux check valve and plunger sterile tank bottom valve, etc. are designed ingeniously, becoming the industry leader.

Taking the Free Trade Agreement Upgrade Protocol signed between Singapore and China as the opportunity, we received the invitation to officially set up China's first "SING-TAO" valve representative office in the Singapore Industrial Park in Suzhou, China in 2022, to serve the Chinese market as the world's second largest economy, which will be the most important milestone in promoting the brand globalization of "SING-TAO" valve.



## **ENTERPRISE VISION**

Let the experience exceed expectations



## **TRACEABILITY OF PRODUCTS**

Each SING-TAO product is labeled with the brand name, material, dimension and traceable product number. Such information and customer purchase records are well documented and tracked in our system.

## PLUNGER TANK BOTTOM VALVE



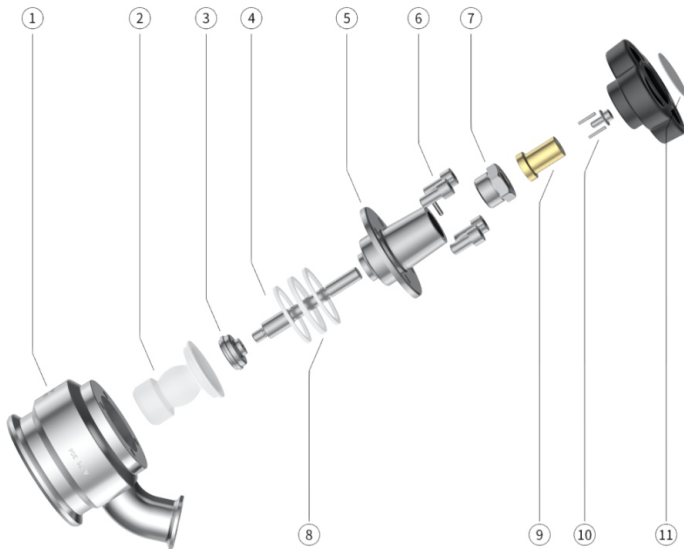
Sanitary tank bottom valve is installed at the bottom of the container, without dead angle and automatic emptying, which is widely used in fermentation tank, batching tank, liquid dispensing tank, cleaning tank and other tank equipment, solving the phenomenon that the crystal and solid sediment are blocked and cannot be completely stirred evenly due to too long straight discharge pipe.

### Features:

1. With compact structure, it can ensure installation in a small space.
2. It is without dead angle and can be automatically emptied. The valve body is finished by one piece of material.
3. It is applicable to CIP and SIP and can be sterilized at high temperature, and the internal surface of the body is polished mechanically, with roughness up to  $Ra \leq 0.38 \mu m$ .
4. It is designed as a finite element simulation, with large flow and no turbulence.
5. It is easy for welding design and reduces the welding difficulty of tank bottom.

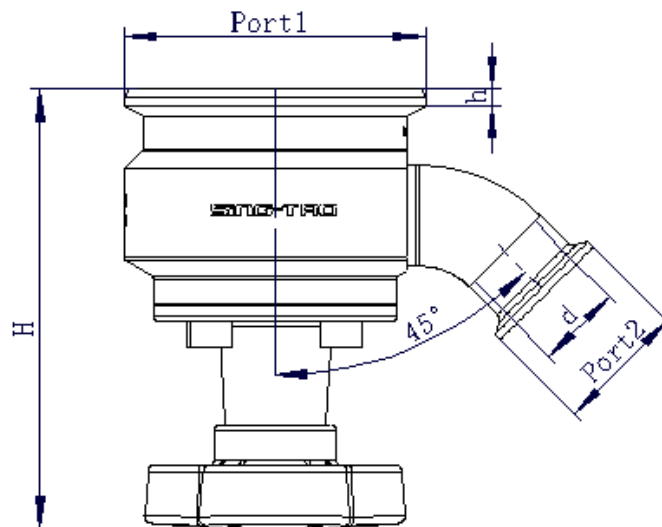
Dimension range: (Outlet) DN25 - DN50 (1" -2" )	Body material: 304/316L
Working temperature: -10°C-130°C	Interface form: Welding and clamping
Pressure rating: 10bar	Standard: Comply with DIN, ISO standard and BPE, CE certification
Drive mode: Manual and pneumatic	

## Sing-Tao Series -2 Plunger Tank Bottom Valve



No.	Description	Material (EN)
1	Valve body	A276 304/316L
2	Valve clack	PTFE
3	Top block of valve clack	SS 304/316L
4	Valve stem	A182 F304/F316L
5	Valve cover	A276 304/316L
6	Inner hexagon screw	A193 B8
7	Nut gland	A276 304/316L
8	Sealing components	SS 304/316L+PTFE
9	Valve rod nut	T3
10	Inner hexagon screw	A193 B8
11	Handwheel	NYLON

### External Dimensional Drawing



CDN	H	Port1	Port2	d	h
DN25	166	73	50.4	22.1	6
DN40	166	84	50.4	34.8	6
Dn50	166	120	50.4	47.5	6

# SING-TAO

QUALITY FIRST



☎ Tel.: +0512-6529 3059

✉ Email: [business@sing-tao.com.cn](mailto:business@sing-tao.com.cn)

📍 Address: Floor 5, Building 1, Genway Building 1, No. 188 Wangdun Road, Suzhou District, China (Jiangsu) Pilot Free Trade Zone