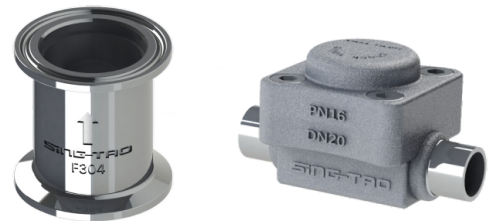


**SING-TAO**

## **SANITARY CHECK VALVE**

**Sterile, Aseptic and Sanitary Valves**



[www.sing-tao.com.cn](http://www.sing-tao.com.cn)

# SING-TAO

Initiated by Dr. Dave Schmidt, a valve control expert, the innovation team is formed by the industry elites from Germany, Belgium and Hungary to jointly explore the wonderful pleasure of fluid control technology. We have successively established production factories in Malaysia and Indonesia, where there are rich mineral resources. With the help of Singapore's mature international trade market position, we have established a supply system integrating research and development, casting, processing and marketing.

We prefer to provide fluid control valves made of stainless steel and corrosion-resistant materials for applications in drinks, drugs and electronic semiconductor fields, including electric, pneumatic and manual valves: Steam drain valve, diaphragm valve, spherical valve, flap valve, mix-proof valve, check valve, angle stop valve, pipeline pressure maintaining valve, etc. We have full-time research and development engineers who conduct continuous improvement to every valve type, so that the products can better match the process requirements.

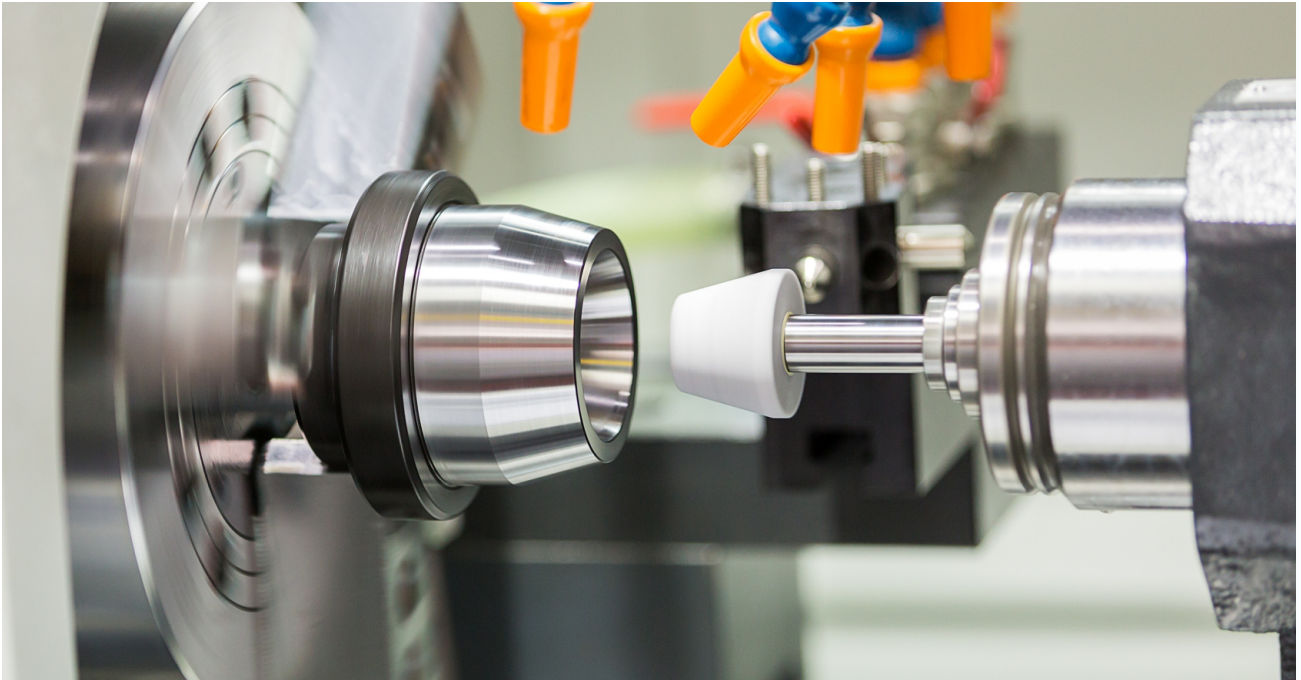
We always ensure that our products meet international industry standards and professional guidelines in quality control and best practices, including 3A, ASME BPE, FDA and SGS. Thanks to our continued commitment to product quality, we have been actively involved in EHEDG and FPSA, who have helped us become a leading valve supplier in the fluid control industry with their knowledge. For example: In order to reduce the risk of microbial contamination, we defined the structure and connection form of diaphragm valves used for cross-materials. The large flux check valve and plunger sterile tank bottom valve, etc. are designed ingeniously, becoming the industry leader.

Taking the Free Trade Agreement Upgrade Protocol signed between Singapore and China as the opportunity, we received the invitation to officially set up China's first "SING-TAO" valve representative office in the Singapore Industrial Park in Suzhou, China in 2022, to serve the Chinese market as the world's second largest economy, which will be the most important milestone in promoting the brand globalization of "SING-TAO" valve.



## **ENTERPRISE VISION**

Let the experience exceed expectations



## **TRACEABILITY OF PRODUCTS**

Each SING-TAO product is labeled with the brand name, material, dimension and traceable product number. Such information and customer purchase records are well documented and tracked in our system.

## SANITARY CHECK VALVE



Vertical mounted check valve



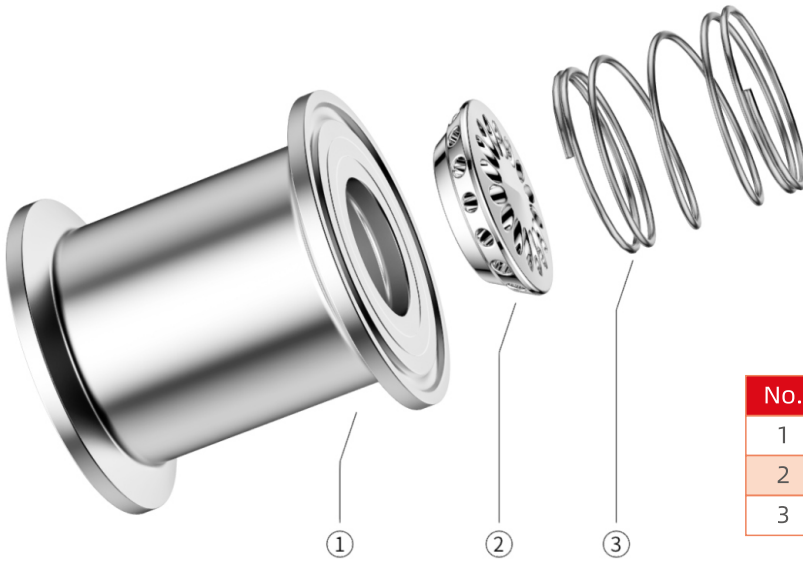
Horizontal mounted check valve

Check valve is used to control the flow direction of process liquid and gas. The valve is easy to install and maintenance-free. At the same time, it can prevent potential damage to pipelines and equipment or system shutdown due to reverse flow, pressure surge, water hammer and air entrainment.

### Features:

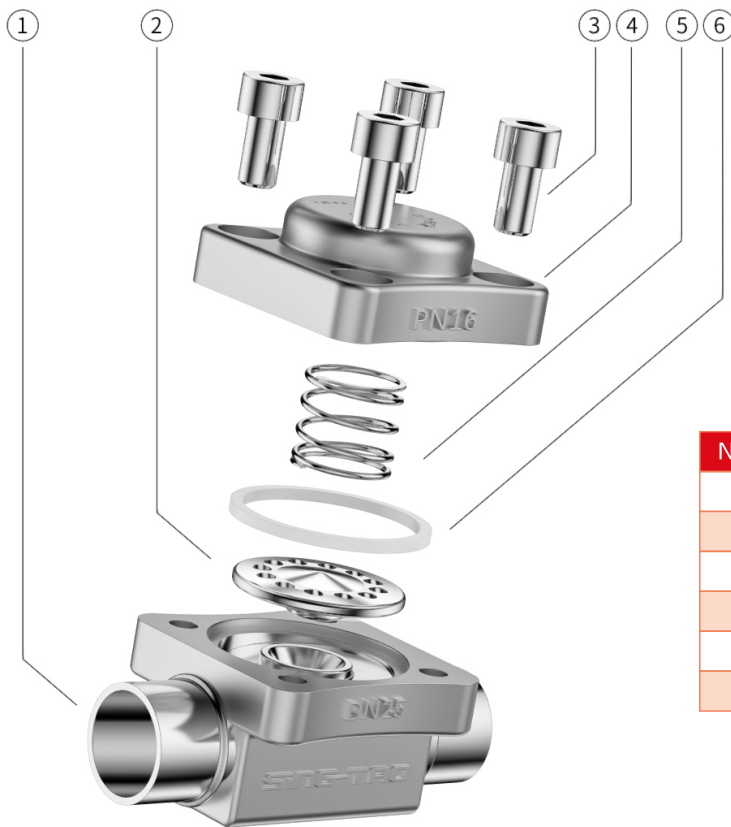
1. Balance the pressure in the system by eliminating the vacuum condition, thus protecting the process system from potential damage;
2. Ensure equipment safety by preventing backflow and water hammer;
3. The whole sanitary structure design, no dead angle, residue.

Dimension range: DN15-DN65(0.5"-2.5")	Body material: 304/316L
Temperature: -10°C-130°C	Interface form: Welding and clamping
Pressure rating: 16bar	Standard: Comply with DIN, ISO standards and BPE, CE certification



Vertical mounted check valve

No.	Description	Material (EN)
1	Valve body	A276304/316L
2	Valve clack	A276304/316L
3	Spring	SS304



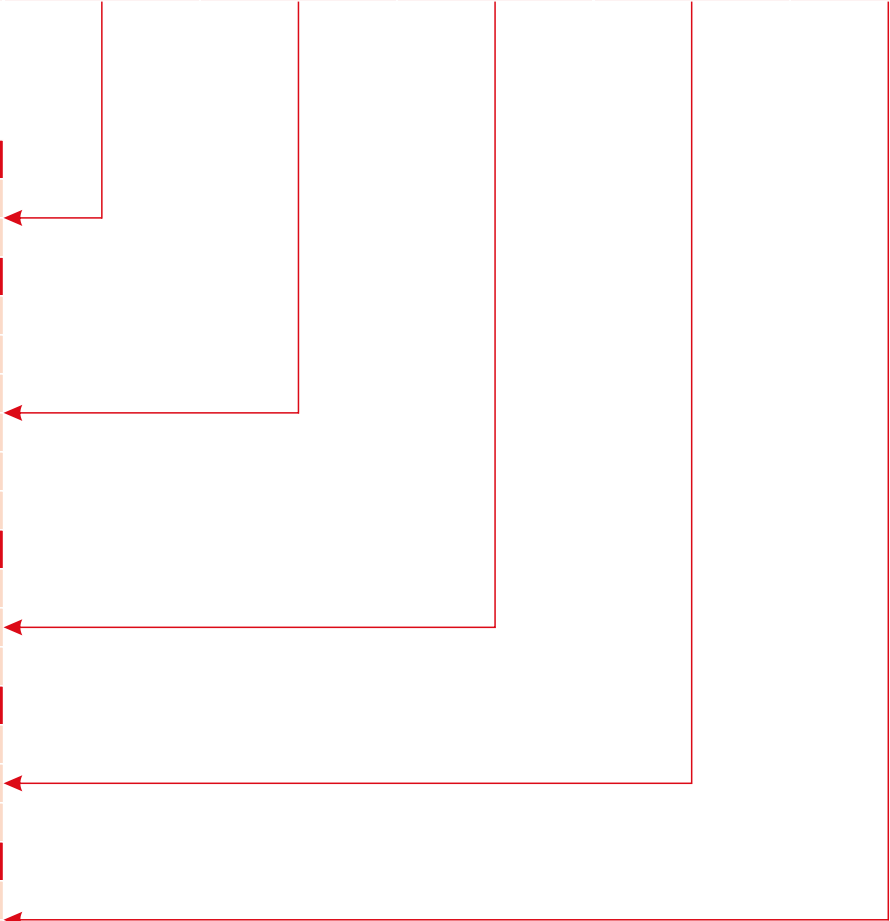
Horizontal mounted check valve

No.	Description	Material (EN)
1	Valve body	A276304/316L
2	Valve clack	A276304/316L
3	Inner hexagon screw	A193B8/B8M
4	Valve cover	A351 CF8/CF3M
5	Spring	SS304
6	Sealing gasket	PTFE

# Sing-Tao Series-7 Sanitary Check Valve

Check valve code CV	Installation method	Interface dimension	Connection mode	Interface standard	Valve body material
---------------------	---------------------	---------------------	-----------------	--------------------	---------------------

Installation method	
Horizontal installation	H
Vertical installation	V
Interface dimension	
0.5"	DN15
0.75"	DN20
1"	DN25
1.5"	DN40
2"	DN50
2.5"	DN65
Connection mode	
Welding type	6
Cassette type	8
Welding clamp type	9
Interface standard	
ISO	I
3A/BPE	P
DIN	D
Valve body material	
304	A
316L	B



# SING-TAO

QUALITY FIRST



☎ Tel.: +0512-6529 3059

✉ Email: [business@sing-tao.com.cn](mailto:business@sing-tao.com.cn)

📍 Address: Floor 5, Building 1, Genway Building 1, No. 188 Wangdun Road, Suzhou District, China (Jiangsu) Pilot Free Trade Zone